



**KITCHEN EQUIPMENT**

*SERVING THE FOOD INDUSTRY SINCE 1951*

## 10-INCH BLADE SLICER WITH 0.25 HP MOTOR

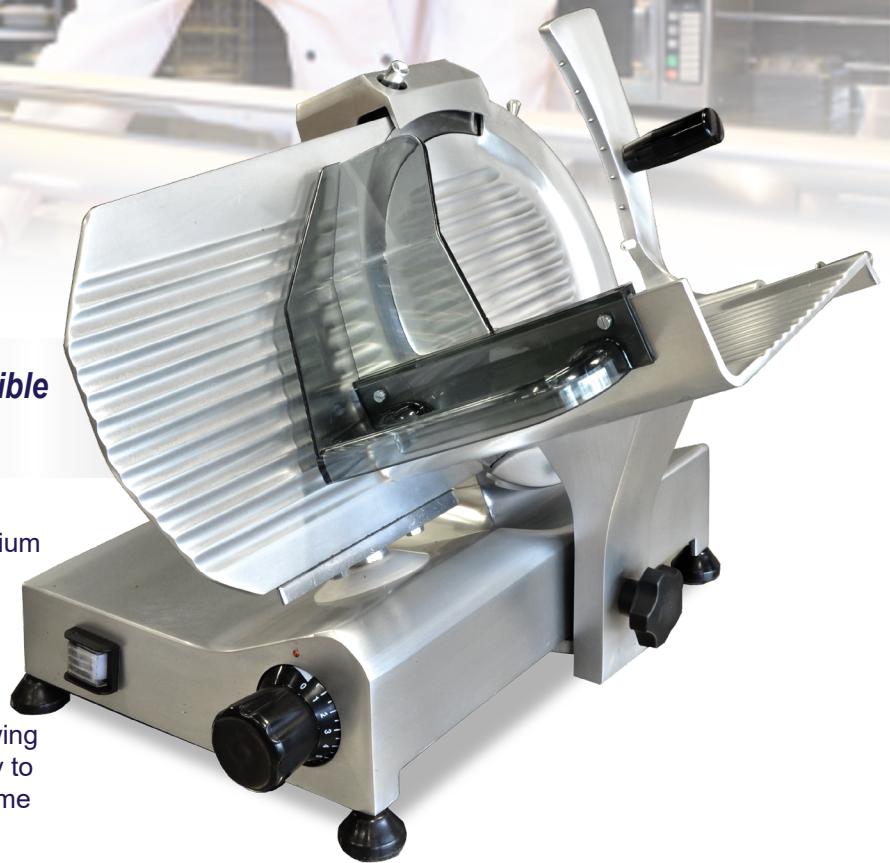
ITEM: 13623 MODEL: MS-IT-0250-IP



*Designed to take up as little space as possible while providing greater cutting capacity*

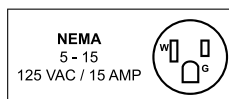
Omcan's 10-inch blade slicer have anodised aluminium alloy body. The high carbon steel blades are hard chromed, with a hollow ground taper for extended sharpening and blade life. This belt driven machine offers exceptional cutting consistency and durability.

The carriage moves smoothly on ball bearings allowing effortless cutting of deli meats and vegetables. Easy to disassemble for quick cleaning. Perfect for low volume operations.



**WARRANTY**

2 YEARS PARTS &  
1 YEAR LABOR



Authorized Dealer

# KITCHEN EQUIPMENT

10-INCH BLADE SLICER WITH 0.25 HP MOTOR MS-IT-0250-IP



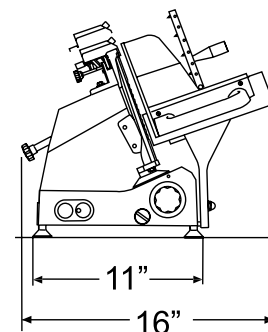
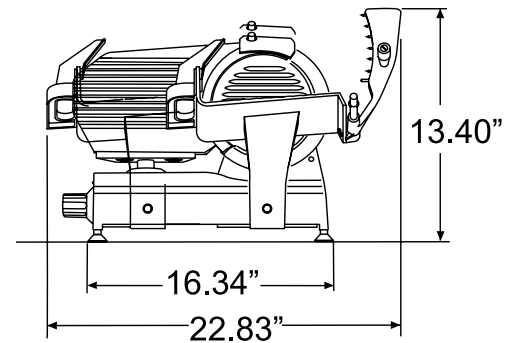
## KEY FEATURES

- Perfect for low volume operations
- Have anodised aluminum alloy bodies
- High carbon steel blades are hard chromed, with a hollow ground taper for extended sharpening and blade life
- Exceptional cutting consistency and durability
- Carriage moves smoothly on ball bearings allowing effortless cutting of deli meats and vegetables
- Easy to disassemble for quick cleaning

## TECHNICAL SPECIFICATION

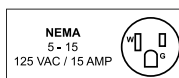
|                             |   |
|-----------------------------|---|
| ITEM NUMBER                 | 13623   |
| MODEL                       | MS-IT-0250-IP                                 |
| BLADE SIZE                  | 10" / 250 mm                                  |
| CUT THICKNESS               | 0 - 15 mm                                     |
| CUTTING SIZE                | 8.25" x 6.30" / 210 x 160 mm                  |
| POWER                       | 0.25 HP / 0.19 kW                             |
| CHEESE SLICING <sup>^</sup> | □□□□  |
| SLICING VOLUME*             | 30 mins.                                      |
| RPM                         | 300   |
| ELECTRICAL                  | 120V / 60Hz / 1Ph                             |
| NET WEIGHT                  | 30 lbs. / 13.6 kg.                            |
| GROSS WEIGHT                | 39 lbs. / 17.7 kg.                            |
| DIMENSIONS (WDH)            | 22.83" x 16" x 13.40"<br>580 x 406.4 x 340 mm |
| GROSS DIMENSIONS            | 22" x 18" x 18"<br>558.8 x 457.2 x 457.2 mm   |

## TECHNICAL DRAWINGS AND DIMENSIONS



<sup>^</sup>CHEESE SLICING RATINGS: □□□□ NOT RECOMMENDED → □□□□ POOR → □□□□ AVERAGE → □□□□ GOOD → □□□□ EXCELLENT →

\*Results may vary due to product consistency and temperature.



**OMCAN INC.**

Telephone: 1-800-465-0234

Fax: (905) 607-0234

Email: sales@omcan.com

Website: www.omcan.com



Follow us to keep up to date with the latest news and offers



2016.E.O.E